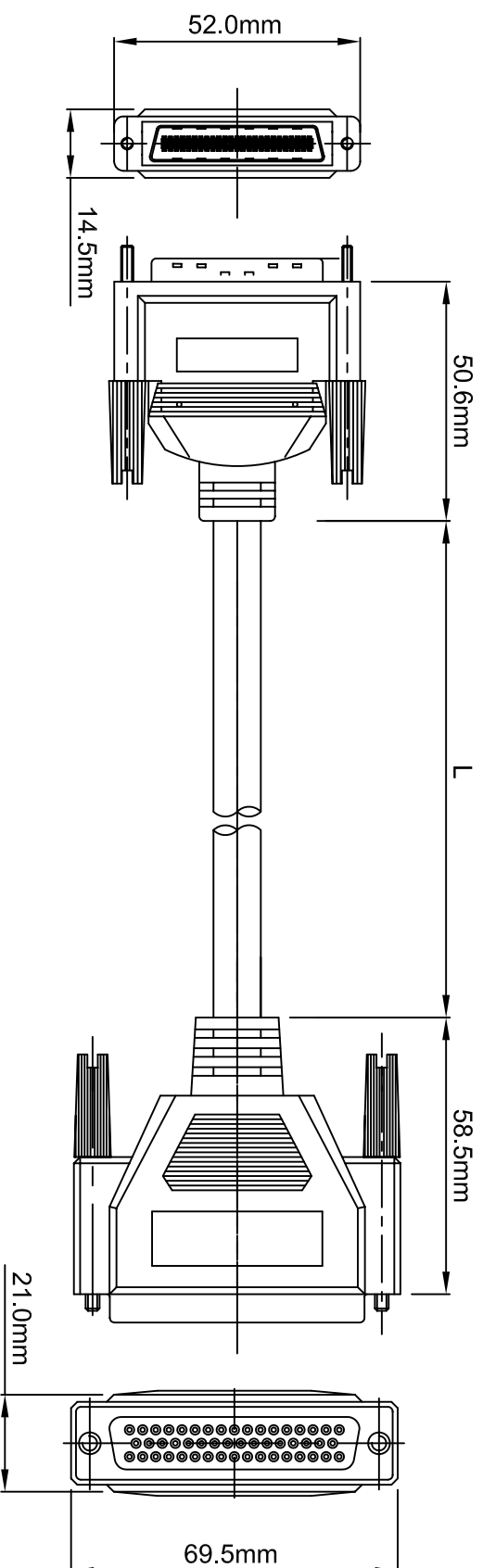


CABLE SPECIFICATION (mm)	
OUTER DIAMETER	8.5 +/- 0.1mm
BENDING RADIUS	6 x O.D. MINIMUM 15 x O.D. FOR LONG TERM RELIABILITY

YASKAWA MODULE SIDE

TERMINAL BLOCK SIDE



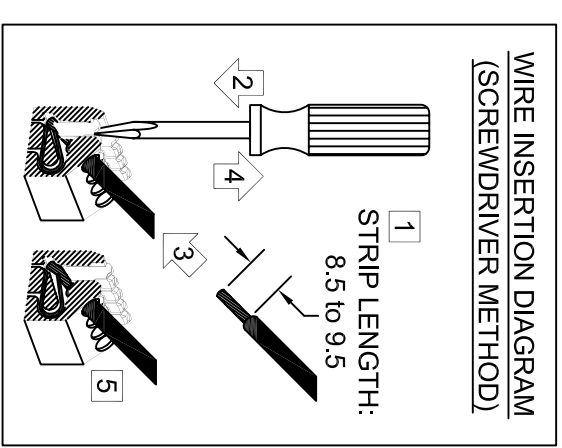
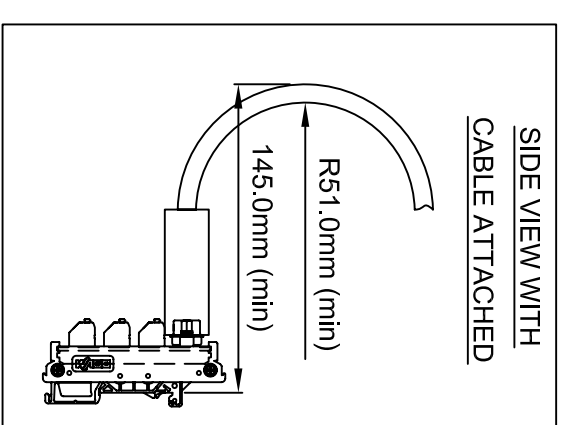
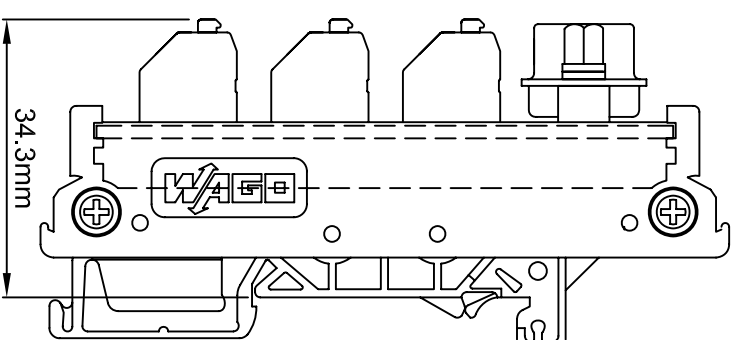
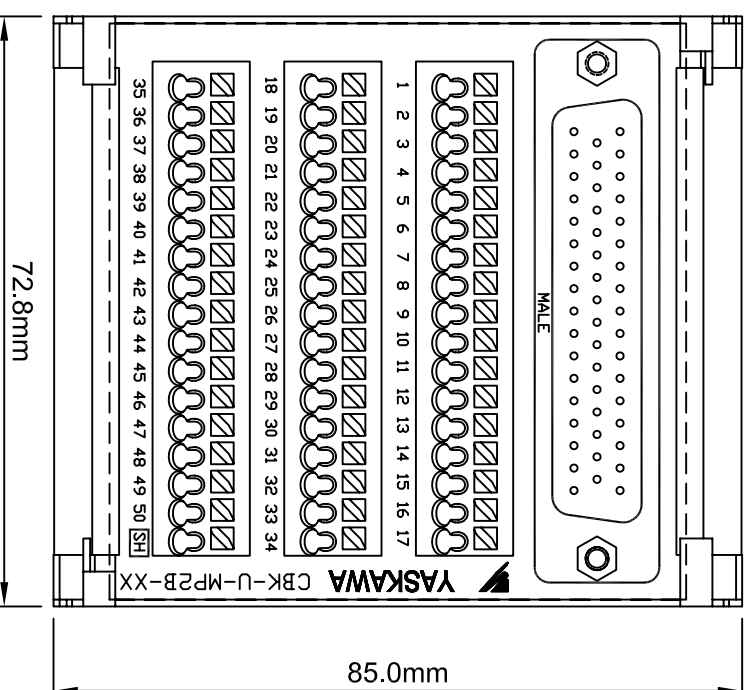
ITEM#	DESCRIPTION	L = LENGTH (mm)
CBK-U-MP2B-A5	I/O CABLE W/TERMINAL BLOCK, L= 0.5 M	500 +/- 38.1
CBK-U-MP2B-01	I/O CABLE W/TERMINAL BLOCK, L= 1 M	1000 +/- 38.1
CBK-U-MP2B-03	I/O CABLE W/TERMINAL BLOCK, L= 3 M	3000 +/- 38.1

KIT BILL OF MATERIALS

	DESCRIPTION	QTY
1	CABLE	1
2	TERMINAL BLOCK	1
3	YASKAWA INSTRUCTION SHEET (UDA000670)	1

NOTES:

- 1) TERMINAL BLOCK WIRE STRIP LENGTH = 8.5 TO 9.5mm
 - 2) TERMINAL BLOCK WIRE SIZE = 16AWG - 24AWG SOLID OR STRANDED.
 - 3) SOLID WIRES AND WIRES WITH FERRULES CAN BE INSERTED DIRECTLY INTO THE TERMINALS WITHOUT THE NEED TO ACTUATE THE TERMINAL BUTTON.
 - 4) FOR STRANDED WIRES THE TERMINAL BUTTON MUST BE ACTUATED WITH A 1/8" WIDE FLAT BLADE SCREWDRIVER OR WITH A WAGO OPERATING TOOL (210-719, 210-720, OR 250-657).
 - 5) TERMINAL BLOCK MOUNTS TO DIN 35 RAIL.
 - 6) TERMINAL BUTTON ACTUATION FORCE = BETWEEN 3 lbf AND 8 lbf FOR THE SPRING TO BE FULLY ACTUATED.
- WARNING - DAMAGE MAY OCCUR IF MORE THAN 40 lbf IS APPLIED TO THE TERMINAL BUTTON.**



REV	DESCRIPTION	EC#	DRAWN BY	DATE
-	-	-	-	-
-	-	-	-	-
-	-	-	-	-
1	UPDATE FUNCTIONALITY CHART: REDRAWN	2543	SONDERMAN	6/8/10
0	INITIAL RELEASE	2010-570	-	-

SEE OPPOSITE SIDE FOR CBK-U-MP2B-XX FUNCTIONALITY INFORMATION

MATERIAL:	TOLERANCES/REFERENCES:
N/A	UNLESS OTHERWISE SPECIFIED
SPEC: N/A	
FINISH: N/A	
MODELS: SEE CHART	
REF DWGS: UDA000452 (0)	UNITS: mm SCALE: NTS

YASKAWA		DRAWN:	DATE:	TITLE:
THIS DOCUMENT AND INFORMATION CONTAINED IN IT ARE CONFIDENTIAL AND CANNOT BE COPIED OR DISCLOSED IN WHOLE OR IN PART WITHOUT THE EXPRESS WRITTEN CONSENT OF YASKAWA AMERICA INC.		E. SONDERMAN	5/14/10	CBK-U-MP2B-XX TERMINAL BLOCK & CABLE KIT INSTRUCTIONS
		C. KINTNER	5/27/10	
		N. HOUCK	5/26/10	
		M. MORAN	5/27/10	
				SEE CHART
				SIZE B
				PAGE 1 of 2
				DRAWING #: UDA000670


CBK-U-MP2B-XX FUNCTIONALITY CHART:

Pin Number*	LIO-04 (JAPMC-IO2303) / LIO-05 (JAPMC-IO2304)				LIO-06 (JAPMC-IO2305-E)		MP2600iec	
	CN1 Signal	CN1 Function	CN2 Signal	CN2 Function	Signal	Function	Signal	Function
1	DICOM_1	Digital input common 1	DICOM_3	Digital input common 3	AO	Analog output	AO	Analog output
2	DI_00	Digital input 0	DI_16	Digital input 16	AI	Analog input	AI	Analog input
3	DI_02	Digital input 2	DI_18	Digital input 18	-	-	-	-
4	DI_04	Digital input 4	DI_20	Digital input 20	PA+	Phase A pulse (+)	PA+	Phase A pulse (+)
5	DI_06	Digital input 6	DI_22	Digital input 22	PA-	Phase A pulse (-)	PA-	Phase A pulse (-)
6	DICOM_2	Digital input common 2	DICOM_4	Digital input common 4	GND	Encoder input ground	GND	Encoder input ground
7	DI_08	Digital input 8	DI_24	Digital input 24	-	-	BAT+	Controller SRAM Battery (+)
8	DI_10	Digital input 10	DI_26	Digital input 26	-	-	-	-
9	DI_12	Digital input 12	DI_28	Digital input 28	PLC5V	Phase-C latch pulse (-) for 5vdc input	PLC5V	Phase-C latch pulse (-) for 5vdc input
10	DI_14	Digital input 14	DI_30	Digital input 30	PLC24V	Phase-C latch pulse (-) for 24vdc input	PLC24V	Phase-C latch pulse (-) for 24vdc input
11	-	-	-	-	DO_00-	Digital output 0 (-)	DO_00-	Digital output 0 (-)
12	DO_00	Digital output 0	DO_16	Digital output 16	DO_02-	Digital output 2 (-)	DO_02-	Digital output 2 (-)
13	DO_02	Digital output 2	DO_18	Digital output 18	DICOM	Digital input common	DICOM	Digital input common
14	-	-	-	-	DI_00	Digital input 0	DI_00	Digital input 0
15	+24V_1	Digital output supply 1	+24V_3	Digital output supply 3	DI_02	Digital input 2	DI_02	Digital input 2
16	DO_04	Digital output 4	DO_20	Digital output 20	DI_04	Digital input 4	DI_04	Digital input 4
17	DO_06	Digital output 6	DO_22	Digital output 22	DI_06	Digital input 6	DI_06	Digital input 6
18	-	-	-	-	DO_04-	Digital output 4 (-)	DO_04-	Digital output 4 (-)
19	DO_08	Digital output 8	DO_24	Digital output 24	DO_06-	Digital output 6 (-)	DO_06-	Digital output 6 (-)
20	DO_10	Digital output 10	DO_26	Digital output 26	-	-	-	-
21	-	-	-	-	DO_00+	Digital output 0 (+)	DO_00+	Digital output 0 (+)
22	+24V_2	Digital output supply 2	+24V_4	Digital output supply 4	DO_02+	Digital output 2 (+)	DO_02+	Digital output 2 (+)
23	DO_12	Digital output 12	DO_28	Digital output 28	DO_04+	Digital output 4 (+)	DO_04+	Digital output 4 (+)
24	DO_14	Digital output 14	DO_30	Digital output 30	DO_06+	Digital output 6 (+)	DO_06+	Digital output 6 (+)
25	-	-	-	-	DO_GND	Digital output 0V common	-	-
26	-	-	-	-	AO_GND	Analog output ground	AO_GND	Analog output ground
27	DI_01	Digital input 1	DI_17	Digital input 17	AI_GND	Analog input ground	AI_GND	Analog input ground
28	DI_03	Digital input 3	DI_19	Digital input 19	reserved	-	reserved	-
29	DI_05	Digital input 5	DI_21	Digital input 21	PB+	Phase-B pulse (+)	PB+	Phase B pulse (+)
30	DI_07	Digital input 7	DI_23	Digital input 23	PB-	Phase-B pulse (-)	PB-	Phase B pulse (-)
31	-	-	-	-	GND	Encoder input ground	GND	Encoder input ground
32	DI_09	Digital input 9	DI_25	Digital input 25	BAT-	Controller SRAM Battery (-)	-	-
33	DI_11	Digital input 11	DI_27	Digital input 27	-	-	-	-
34	DI_13	Digital input 13	DI_29	Digital input 29	PLC12V	Phase-C latch pulse (-) for 12vdc input	PLC12V	Phase-C latch pulse (-) for 12vdc input
35	DI_15	Digital input 15	DI_31	Digital input 31	PL	Phase-C latch pulse (+)	PL	Phase-C latch pulse (+)
36	-	-	-	-	DO_01-	Digital output 1 (-)	DO_01-	Digital output 1 (-)
37	DO_01	Digital output 1	DO_17	Digital output 17	DO_03-	Digital output 3 (-)	DO_03-	Digital output 3 (-)
38	DO_03	Digital output 3	DO_19	Digital output 19	DICOM	Digital input common	DICOM	Digital input common
39	OV_1	Digital output 0VDC 1	OV_3	Digital output 0VDC 3	DI_01	Digital input 1 (shared with pulse latch input)	DI_01	Digital input 1 (shared with pulse latch input)
40	-	-	-	-	DI_03	Digital input 3	DI_03	Digital input 3
41	DO_05	Digital output 5	DO_21	Digital output 21	DI_05	Digital input 5	DI_05	Digital input 5
42	DO_07	Digital output 7	DO_23	Digital output 23	DI_07	Digital input 7	DI_07	Digital input 7
43	-	-	-	-	DO_05-	Digital output 5 (-)	DO_05-	Digital output 5 (-)
44	DO_09	Digital output 9	DO_25	Digital output 25	DO_07-	Digital output 7 (-)	DO_07-	Digital output 7 (-)
45	DO_11	Digital output 11	DO_27	Digital output 27	DO_24V	Digital output 24V supply	DO_01+	Digital output 1 (+)
46	OV_2	Digital output 0VDC 2	OV_4	Digital output 0VDC 4	DO_01	Digital output 1	DO_03+	Digital output 3 (+)
47	-	-	-	-	DO_03	Digital output 3	DO_05+	Digital output 5 (+)
48	DO_13	Digital output 13	DO_29	Digital output 29	DO_05	Digital output 5	-	Digital output 7 (+)
49	DO_15	Digital output 15	DO_31	Digital output 31	DO_07	Digital output 7 (shared with position agreement 'COIN' signal)	DO_07+	Digital output 7 (+) (shared with position agreement 'COIN' signal)
50	-	-	-	-	DO_GND	Digital output 0V common	DO_07+	Digital output 7 (+) (shared with position agreement 'COIN' signal)

*TWISTED PAIRS
1 - 26
2 - 27
8 - 33
4 - 5
9 - 35
29 - 30
10 - 34
7 - 32

REV	DESCRIPTION	EC#	DRAWN BY	DATE
-	-	-	-	-
-	-	-	-	-
-	-	-	-	-
-	-	-	-	-
1	UPDATE FUNCTIONALITY CHART: REDRAWN	2543	SONDERMAN	6/8/10
0	INITIAL RELEASE	2010-570	-	-

MATERIAL:	TOLERANCES/REFERENCES:
N/A	UNLESS OTHERWISE SPECIFIED
SPEC: N/A	
FINISH: N/A	
MODELS: N/A	
SEE CHART	
REF DIMS: UDA00452 (0)	
UNITS: mm	SCALE: NTS

	DRAWN: E. SONDERMAN	DATE: 5/14/10	TITLE: CBK-U-MP2B-XX TERMINAL BLOCK & CABLE KIT INSTRUCTIONS
	CHECKED: C. KINTNER	DATE: 5/27/10	ITEM #: SEE CHART
THIS DOCUMENT AND INFORMATION CONTAINED IN IT ARE CONFIDENTIAL, AND CANNOT BE COPIED OR DISCLOSED IN WHOLE OR IN PART WITHOUT THE EXPRESS WRITTEN CONSENT OF YASKAWA AMERICA INC.		TECH: N. HOUCK APPROVED: M. MORAN ORIGINAL DESIGN:	DATE: 5/26/10 DATE: 5/27/10 DATE:
		SIZE: B	PAGE: 2 of 2
		DRAWING #: UDA00670	